

"For a perfectly illuminated industrial workplace"

FOX



GRAH[®]
LED LIGHTING

INDUSTRIAL

FOX

TECHNICAL SPECIFICATIONS

Supply voltage range:	198-264 V, 50 / 60 Hz
Consumption:	18 W / 76 W
Power Factor:	>0,95
Temperature range:	-5 °C / +40 °C
Working temperature at Ta25:	+55 °C
Light guiding system:	PMMA SAT
Optics:	/
Power reduction:	ON/OFF, DALI
Light source:	Mid power LED
Colour temperature:	3000 K, 4000 K, 5000 K
System efficacy:	Up to 126 lm/W
UGR:	<19
LED Lifetime:	Up to 50.000 hours, L80 @ Ta = 25 °C
Colour Rendering Index:	CRI >80
Luminous flux:	2.200 / 9.100 lm
Appliance class:	I
Housing material:	Extruded aluminium
Housing colour:	RAL 9016 fine texture (other colours on request)
Ingress protection class:	IP40
Impact resistance:	IK08
Mounting options:	Ceiling (mounting KIT included) suspended, wall
Suggested mounting height:	up to 5 m
Dimension (L x H x W):	1160 x 53 x 70 mm (without wings) 1730 x 53 x 70 mm (without wings)
Net weight:	2,8 kg / 4,1 kg

FOX



RoHSII

LED



IP40

IK08

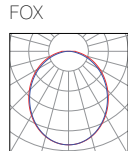


DALI

FEATURES

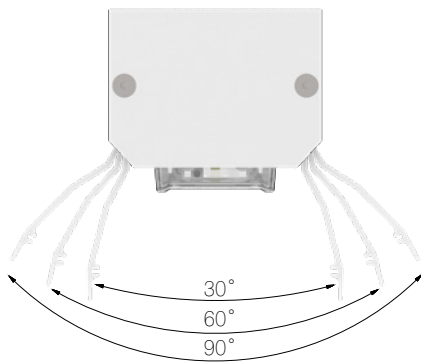
With Luminous flux from 2.200 lm to 9.100 lm and satin optics for diffuse and soft light FOX light up your workspace perfectly

Build for:
industrial facilities
independent workplaces

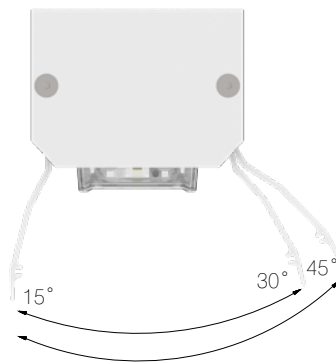


6 positions of wings for more directed light

The wings can be opened or adjusted in 30°, 60° or 90° angle, symmetrical or asymmetrical. By default the luminaire comes with 30° wings angle.



symmetrical combinations



asymmetrical combinations



Filter for a glare free solution

With an additional filter you can have a glare free solution.



5 sizes with diffuse light distribution

Very efficient linear luminaire build for specific illumination of industrial workplaces with a possibility to integrate stand alone Active PLUS PIR sensor for more energy saving.

Mounting accessories included in the box

Mounting KIT Ceiling

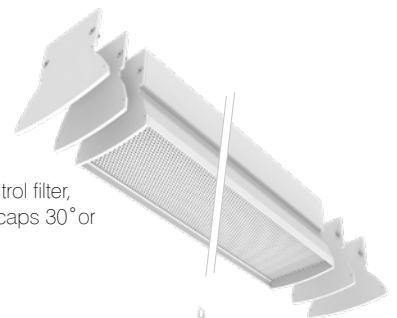


Accessories

End caps 30°, 60°



Glare control filter, with end caps 30° or 60°



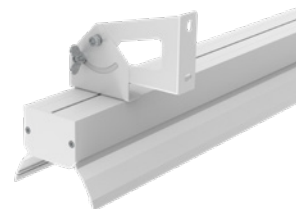
Mounting KIT Suspension chain 2 m



Mounting KIT Suspension wire 3 m



Mounting KIT Wall adjustable



COMMERCIAL SPECIFICATIONS

ID: 2 3 9 0 - 0 0 2 2 - 1 1 6 3 - 1 3 9 1 - 0 0 0 0

Code	Name	Code	Regulat.	Code	Lum. flux [lm]	Power [W]	Code	Colour Temp.[K]	Code	Length [mm]
2390	FOX	0	ON/OFF	022	2200	18	3	3000*	1	590
				030	3000	25			2	870
				034	3400	27			3	1160
				046	4600	38			4	1440
				045	4500	36			5	1730
				061	6100	51				
				056	5600	45				
				076	7600	63				
				067	6700	54				
				091	9100	76				
		3	DALI							

*Luminous flux for 3000 K and 5000 K may vary, please contact our Sales department for detailed information.

Options	Angle	Code	Length
Glare Control filter with 2 end caps	30°	0031	590 mm
		0032	870 mm
		0033	1160 mm
		0034	1440 mm
		0035	1730 mm
	60°	0036	590 mm
		0037	870 mm
		0038	1160 mm
		0039	1440 mm
		0040	1730 mm

Code	Accessories
3999-0039-0000-0000	Mounting KIT Suspension wire 3 m
3999-0040-0000-0000	Mounting KIT Suspension chain 2 m
3999-0030-0000-0000	Mounting KIT Wall adjustable
3999-0037-0000-0000	End cap 30°
3999-0038-0000-0000	End cap 60°
3999-0047-0000-0000	Active PLUS PIR sensor



GRAH LIGHTING d.o.o.
 Zadružna ulica 6,
 SI-2310 Slovenska Bistrica,
 Slovenia, EU

+386 82 801 424
 info@grahlighting.com
www.grahlighting.com